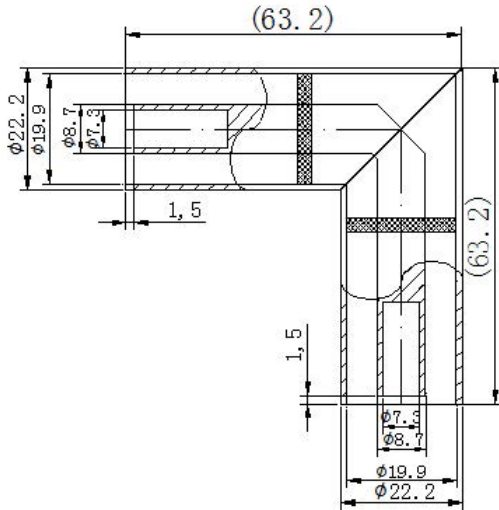




## A-1666-7

### 7/8" non-flanged rigid transmission line elbow

 In-stock  
Ready to  
Ship



Interface 1	7/8" EIA unflanged
Interface 2	7/8" EIA unflanged
Construction	Outer: Nickel plated Brass Insulator: PTFE Centre conductor: Silver plated phosphor bronze
Frequency range	DC ~ 2GHz
Impedance - nominal	50 Ohms
Dimensions	63mm x 63mm x 22mm diameter
Weight	106grams
Operating temperature	-45°C~+85°C
RoHS Compliant	Yes